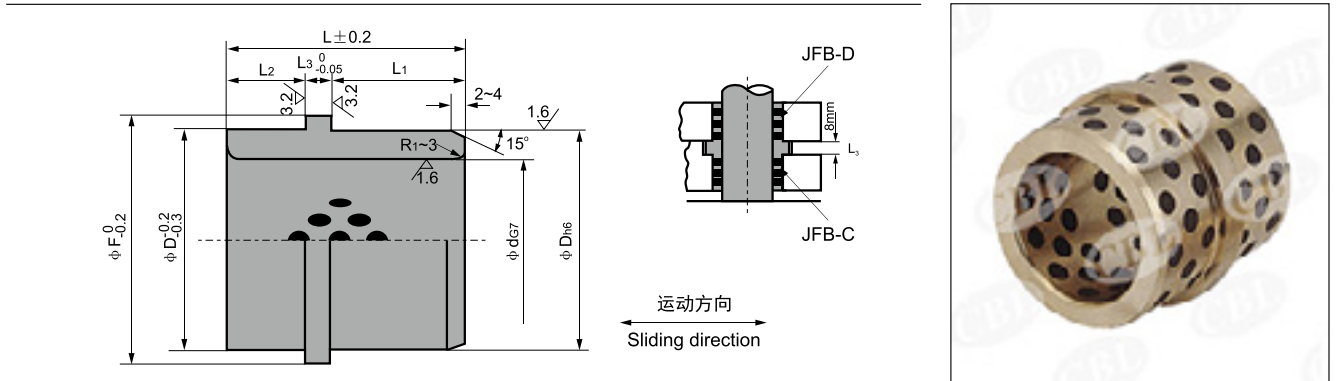


CBL-500F 自润滑导向套标准公制尺寸  
 CBL-500F CBLIf-lubricant Guide Ejector Bushings Standard Metric Size



单位unit:mm

型号规格 Standard No.	φd G7	φD h6	φF	L	L <sub>1</sub>	L <sub>2</sub>	L <sub>3</sub>
CBL-500F-10×24	10	16	21	24	10		
CBL-500F-10×28				28	14		
CBL-500F-12×26	12	18	25	26	12		
CBL-500F-12×28				28	14		
CBL-500F-13×26	13	22	25	26	12		
CBL-500F-13×28				28	14		
CBL-500F-13×33				33	18		
CBL-500F-13×38				38	24		
CBL-500F-16×26	16	25	30	26	12	10	4
CBL-500F-16×28				28	14		
CBL-500F-16×33				33	19		
CBL-500F-16×38				38	24		
CBL-500F-20×26	20	30	35	26	12		
CBL-500F-20×28				28	14		
CBL-500F-20×33				33	19		
CBL-500F-20×38				38	24		
CBL-500F-25×26	25	35	40	26	12		
CBL-500F-25×28				28	14		
CBL-500F-25×33				33	19		
CBL-500F-25×38				38	24		
CBL-500F-30×33	30	40	45	33	14	15	
CBL-500F-30×38				38	19		
CBL-500F-30×43				43	24		

型号规格 Standard No.	φd G7	φD h6	φF	L	L <sub>1</sub>	L <sub>2</sub>	L <sub>3</sub>
CBL-JOSG-32×38	32	42	47	38	19		
CBL-JOSG-32×43				43	24		
CBL-JOSG-32×48				48	29		
CBL-JOSG-35×38	35	46	50	38	19	15	4
CBL-JOSG-35×43				43	24		
CBL-JOSG-35×48				48	29		
CBL-JOSG-40×48	40	52	57	48	24	20	
CBL-JOSG-40×53				53	29		
CBL-JOSG-50×48	50	62	67	48	24		
CBL-JOSG-50×53				53	29		
CBL-JOSG-30×37	30	42	47	37	14	15	
CBL-JOSG-30×42				42	19		
CBL-JOSG-30×47				47	24		
CBL-JOSG-30×52				52	29		
CBL-JOSG-40×53	40	55	60	53	20	25	
CBL-JOSG-40×57				57	24		
CBL-JOSG-40×60				55	60		
CBL-JOSG-40×67	40	55	60	60	67	29	30
CBL-JOSG-40×70				55	70	42	20
CBL-JOSG-50×67				50	62	67	67
CBL-JOSG-50×87	87	39	40				
CBL-JOSG-60×67	60	74	82				67
CBL-JOSG-60×87				87	39	40	